



30'x65'x15'

Round Style Commercial Building

Protect Your Investments from Inclement Weather & Sun Damage

MDM Products 30x65 Buildings are redesigned for heavy commercial, agricultural and industrial use. From the heavy steel galvanized frame to the unique dual cover tensioning system, the building is heavy duty from front to back. Typical uses include large workshop areas, animal protection, long term jobsite storage, and multiple truck or car storage. Completely packaged and ready for quick assembly, the frame is the heaviest available in single tub construction. All frame components are made from heavy galvanized materials. Main Cover, Door, and All Fabrics are made from Long-Life UV Resistant, Fire Retardant Polyethylene with woven backing.

All fabric components feature heat-welded seam construction. Unit features a unique dual cover tensioning system that allows quick adjustment both front-to-back and side-to-side. The easy-up door can be winched up from outside the building with little to no effort. Wind release flaps on both sides allow for wind absorption. Long lasting cover design provides for runoff of rain, or melting snow, to avoid water getting in through the perimeter of the cover. Each unit comes equipped with both a set of 18 Cable Earth Anchors and a set of Auger style anchors to secure the unit at all strategic points.

Exclusive Features

- Heavy-Duty Galvanized Finish - All Steel Frame
- Roll Up Mechanical Door On Both Ends
- Wind Brace Support on Each Corner
- Double Cover Tensioning System
- Complete Anchoring System Included
- 10oz., CPAI-84 Fabric Cover and Doors
- Arch Spacing Every 48 Inches (4 foot spacing's)

Nominal Size	30' Wide x 65' Long x 15' High
Arches	Eleven (11) on 79" spacing 2-3/8" diameter frame members
Standard End Door Size	11' Wide x 12'6" High at edge mechanical roll up design
Colors	Exterior - white Interior - white

Main Cover	fabric backed poly. 10oz weight
Fire Retardant Standard	Main cover and doors meet CPAI-84 Section 5
Anchors	Eighteen (18) 3/8" Anchors with U-Bolts & Straps
Shipping Weight	3172 lbs. in two (2) crates shipped via motor



MDMshelters.com
RhinoShelters.com



Easy Cover Installation



Allframe members are long lifegalvanized steel



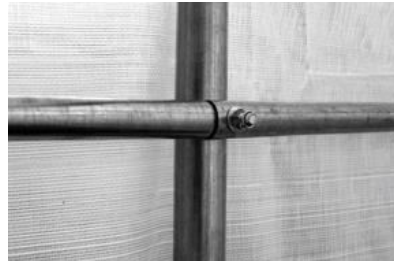
Structural windbrace oneachcorner



LabeledParts



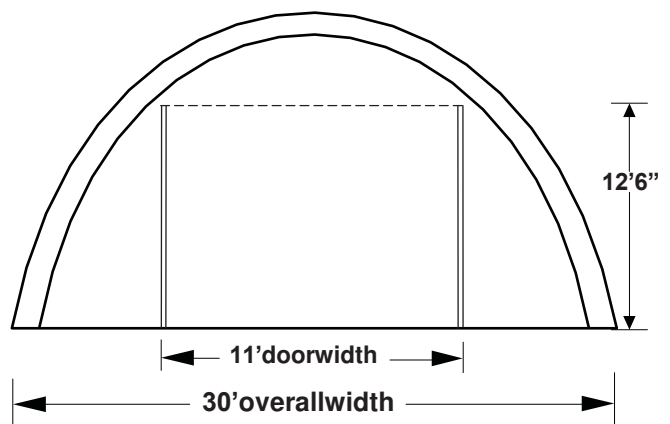
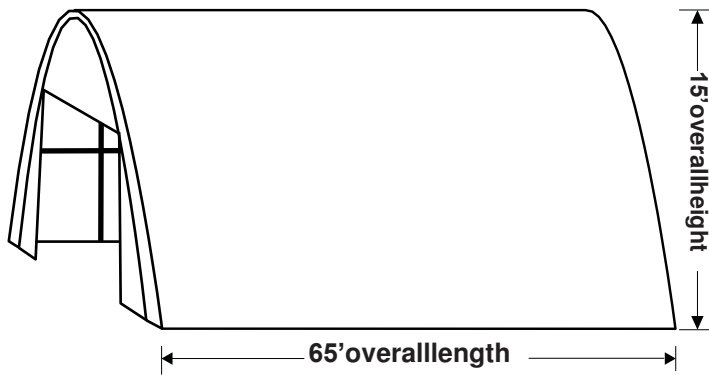
SideTensioning CoverRatchet



Pre-Drilled,Bolt togetherframe



Heavy-Duty BasePlates



MoreFineProductsfrom **RhinoShelter™**



OneCarGarages



SUV/Boat Garages



LargeBuildings



TwoCar Garages

Car & Cycle Pockets



PartyTents
14'-32'long



www.RhinoShelters.com

Spec1Comm.
06/07